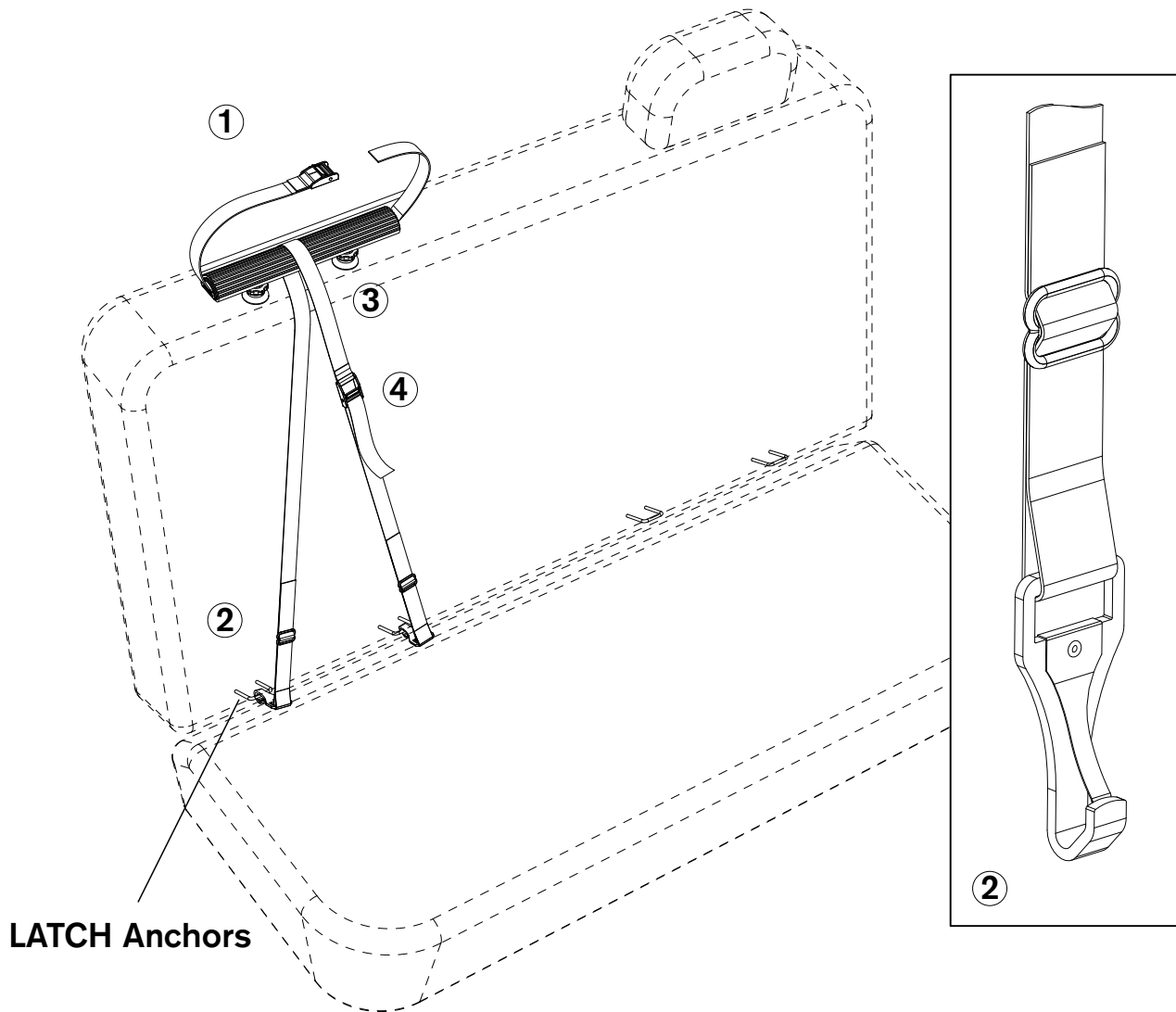


Convertible Vehicle Strap Installation Instructions

The **Convertible Vehicle Strap** provides an additional anchor for the cargo bar in convertible vehicles. When the SeatRack Interior Cargo Rack is used in a convertible vehicle, the **Convertible Vehicle Strap** **MUST** be used.



1. Install the Cargo Bars in accordance with the instructions included with the SeatRack Interior Cargo Rack kit.
2. Attach the two Snap Clips to the LATCH child seat restraint anchors in the backseat or other suitable tie down point.
3. Loop the black buckle over the Cargo Bar and adjust if necessary so the buckle is about in the center of the seatback.
4. Thread the loose strap end through the buckle and secure.